

## Interbases

DBS721, DBS728, DBS729



**Sounder interbase, sounder beacon interbase, sounder interbase with supplementary optical indication for the automatically addressable detector bus C-NET**

- Addressed (C-NET)
- 11 tones to choose from, 2 programmable alarm levels
- Adjustable sound levels up to 89 dBA
- Compatible with all addressable Cerberus point detectors
- Supply and communication via C-NET
- Also included with the DBS728:
  - 13 tones to choose from, 2 programmable alarm levels
  - Adjustable sound levels up to 93 dBA
  - Meets the requirements of the EN 54-23 standard
  - White LEDs with two adjustable luminous intensities: Light/high (Class 'C-3-5') and dark/low (Class 'O-1,5-2,4') in accordance with EN 54-23
- Also included with the DBS729:
  - Red LEDs with adjustable luminous intensities – 3 programmable levels

## Properties

- Supply via C-NET, no auxiliary supply required
- Integrated line separator
- Adjustable sounds and sound levels, sounds synchronized for all alarm devices
- Synchronized optical signal in DBS728
- Protected electronics and high-quality components
- Eco-friendly
  - Environmentally friendly processing
  - Reusable materials
  - Electronic parts and synthetic materials can be easily separated
- If a point detector is not used, then the cover plate BP720 (accessory) can be mounted

## Use

- Hotel rooms
- Restrooms
- Offices

## Functions

### Functions shared by all interbases

The interbases provide an alarm in an addressed fire detection system FS720. They activate an acoustic signal in the event of a fire alarm.

The interbases each have their own device addresses and can be configured independently of a point detector if one is in use.

All point detectors in the series Cerberus™ PRO FD720 can be used in the interbases.

External alarm indicators can even be connected to the point detectors when using the interbases.

### Sounder beacon interbase DBS728

In the event of a fire alarm, the sounder beacon interbase DBS728 activate both an acoustic and optical alarm signal (with the white LEDs flashing).

### Sounder interbase with supplementary optical indication DBS729

In the event of a fire alarm, the sounder interbase with supplementary optical indication DBS729 emits both an acoustic and optical alarm signal (with the red LEDs flashing).

## Type Overview

Type	Designation	Order number	Weight [kg]
DBS721	Sounder interbase	S54372-F13-A1	0.225
DBS728	Sounder beacon interbase	S54372-F14-B1	0.232
DBS729	Sounder interbase with additional optical indicator	S54372-F14-A1	0.236

## Accessories

Type	Order number	Designation	Weight [kg]
BP720	S54372-B12-A1	Blanking plate	0.027
DBZ1193A	A5Q00002621	Designation plate	0.026
LP720	S54319-F9-A1	Detector locking device	0.001
RS721	S54319-F32-A1	Interbase seal	0.026

## Product documentation

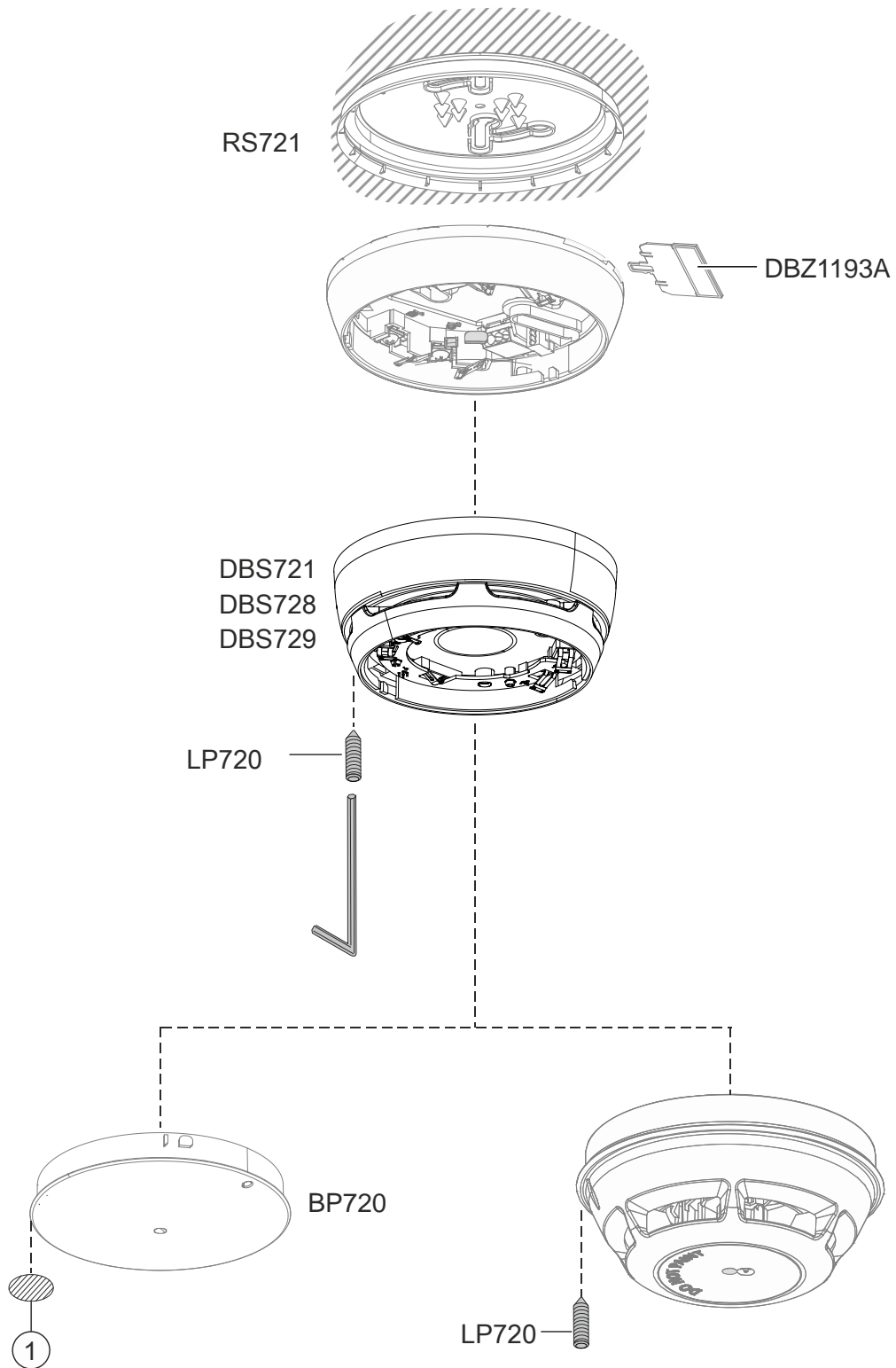
Document ID	Title
A6V10229261	List of compatibility (for 'Cerberus™ PRO' product line)
A6V10225323	Equipment overview Cerberus™ PRO Detector system FD720
A6V10320094	Technical manual Sounder interbase DBS721, Sounder beacon interbase DBS728, Sounder interbase with supplementary optical indication DBS729
A6V10202198	Data sheet Automatic fire detectors OH720, OP720, HI720, HI722
A6V10284161	Data sheet Automatic fire detectors OOH740, OOH740
A6V10882301	List of compatibility (for 'FC360' product line)

Related documents such as environmental declarations, CE declarations, etc., can be downloaded at the following Internet address:

<http://siemens.com/bt/download>

**Mounting**

The interbases DBS721, DBS728 and DBS729 form a single unit together with the point detector and are mounted on a detector base DB72x.



*Mounting the interbase and accessories*

- 1 Seal label

## Disposal



The device is considered an electronics device for disposal in terms of European Directive 2012/19/EU and may not be disposed of as domestic garbage.

- Dispose of the device through channels provided for this purpose.
- Comply with all local and currently applicable laws and regulations.

## Technical data


Supply	
Operating voltage	DC 12...33 V
Operating current (quiescent)	Max. 250 µA
• Sound activated	DBS721/DBS729: 3.5 mA
	DBS728: 3.6 mA (115 mW)
• Optical indicator activated	DBS728: 3.0/7.8 mA (65/130 mW) (dark/light)
	DBS729: 1.5/4.0/6.5 mA (dark/medium/light)
• Optical indicator and sound activated	DBS728: 5.6/10.6 mA (160/225 mW) (dark/light)
	DBS729: 5.0/7.5/10.5 mA (dark/medium/light)


Functional data	
Sounds	DBS721/DBS729: 11 DBS728: 13 2 alarm levels 2 sound levels (1 alarm sound level, 1 test sound level)
Sound level (alarm sound level)	DBS721/DBS729: 82...89 dBA
	DBS728: 77...93 dBA
Luminous intensity	DBS728 in accordance with EN 54-23: light/high C-3-5 dark/low O-1.5-2.4 (ceiling mounted, cylindrical cover cap as in Class C)
	DBS729: 0.9...3.2 cd
Luminous intensity levels	DBS728: 2 levels (not available with all control panels)
	DBS729: 3 levels, 2 flashing modes (not available with all control panels)
Communication protocol	C-NET
System compatibility C-NET	FS720, FC360
Color	~RAL9010 pure white / translucent


Line connections	
Conductor cross-section on detector base	0.2...1.5 mm <sup>2</sup>

Ambient conditions and protection category	
Protection category (IEC 60529) with interbase seal RS721:	<ul style="list-style-type: none"> <li>• IP21C (with point detector)</li> <li>• IP21C (with BP720)</li> </ul>
Operating temperature	-25...+55 °C
Storage temperature	-30...+75 °C
Air humidity	≤95 % rel.

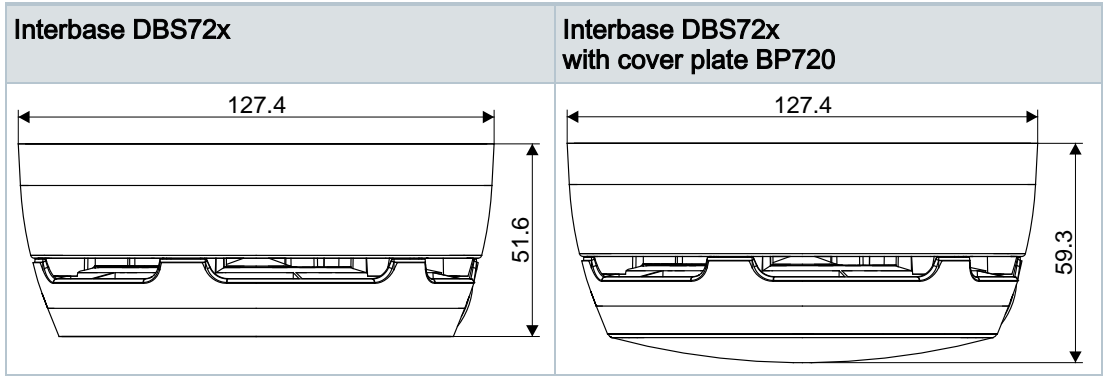
Standards, directives and approvals	
Standards	EN 54-3, type A, EN 54-17 EN 54-23 type A, Class C and O (DBS728 only)
Approvals VdS	DBS721: G211083
	DBS728: G216064
	DBS729: G211084

11		0786	<b>DBS721</b>	Siemens Switzerland Ltd; Gubelstrasse 22 CH-6301 Zug Technical data: see doc. <b>A6V10320094</b>
DBS721 - Sounder incl. short-circuit isolator for use in fire detection and fire alarm systems installed in buildings.				
305/2011/EU (CPR): EN 54-3 / EN 54-17 ; 2014/30/EU (EMC): EN 50130-4 / EN 61000-6-3 ; 2011/65/EU (RoHS): EN 50581				
The declared performance and conformity can be seen in the Declaration of Performance (DoP) and the EU Declaration of Conformity (DoC), which is obtainable via the Customer Support Center: Tel. +49 89 9221-8000 or <a href="http://siemens.com/bt/download">http://siemens.com/bt/download</a>				
DoP No.: 0786-CPR-21100; DoC No.: CED-DBS721				

16		0786	<b>DBS728</b>	Siemens Switzerland Ltd; Gubelstrasse 22 CH-6301 Zug Technical data: see doc. <b>A6V10320094</b>
DBS728 - Visual alarm devices / Sounder Type A incl. short-circuit isolator for use in fire detection and fire alarm systems installed in buildings.				
305/2011/EU (CPR): EN 54-17 / EN 54-3 / EN 54-23 ; 2014/30/EU (EMC): EN 50130-4 / EN 61000-6-3 ; 2011/65/EU (RoHS): EN 50581				
The declared performance and conformity can be seen in the Declaration of Performance (DoP) and the EU Declaration of Conformity (DoC), which is obtainable via the Customer Support Center: Tel. +49 89 9221-8000 or <a href="http://siemens.com/bt/download">http://siemens.com/bt/download</a>				
DoP No.: 0786-CPR-21509; DoC No.: CED-DBS728				

11		0786	<b>DBS729</b>	Siemens Switzerland Ltd; Gubelstrasse 22 CH-6301 Zug Technical data: see doc. <b>A6V10320094</b>
DBS729 - Sounder incl. short-circuit isolator for use in fire detection and fire alarm systems installed in buildings.				
305/2011/EU (CPR): EN 54-17 / EN 54-3 ; 2014/30/EU (EMC): EN 50130-4 / EN 61000-6-3 ; 2011/65/EU (RoHS): EN 50581				
The declared performance and conformity can be seen in the Declaration of Performance (DoP) and the EU Declaration of Conformity (DoC), which is obtainable via the Customer Support Center: Tel. +49 89 9221-8000 or <a href="http://siemens.com/bt/download">http://siemens.com/bt/download</a>				
DoP No.: 0786-CPR-21101; DoC No.: CED-DBS729				

Dimensional drawings



Issued by  
Siemens Switzerland Ltd  
Building Technologies Division  
International Headquarters  
Gubelstrasse 22  
CH-6301 Zug  
Tel. +41 41-724 24 24  
[www.siemens.com/buildingtechnologies](http://www.siemens.com/buildingtechnologies)

© Siemens Switzerland Ltd, 2010  
Technical specifications and availability subject to change without notice.